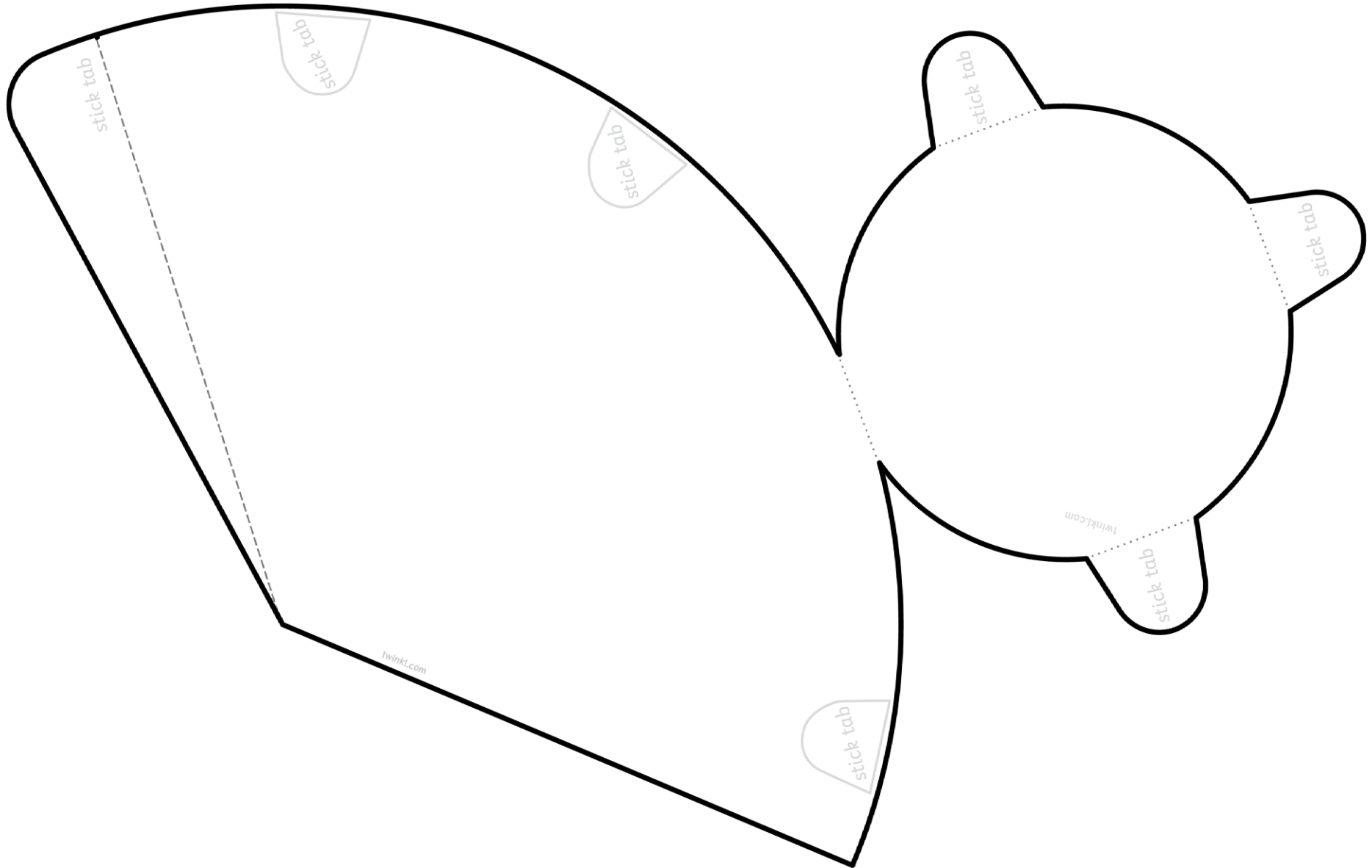
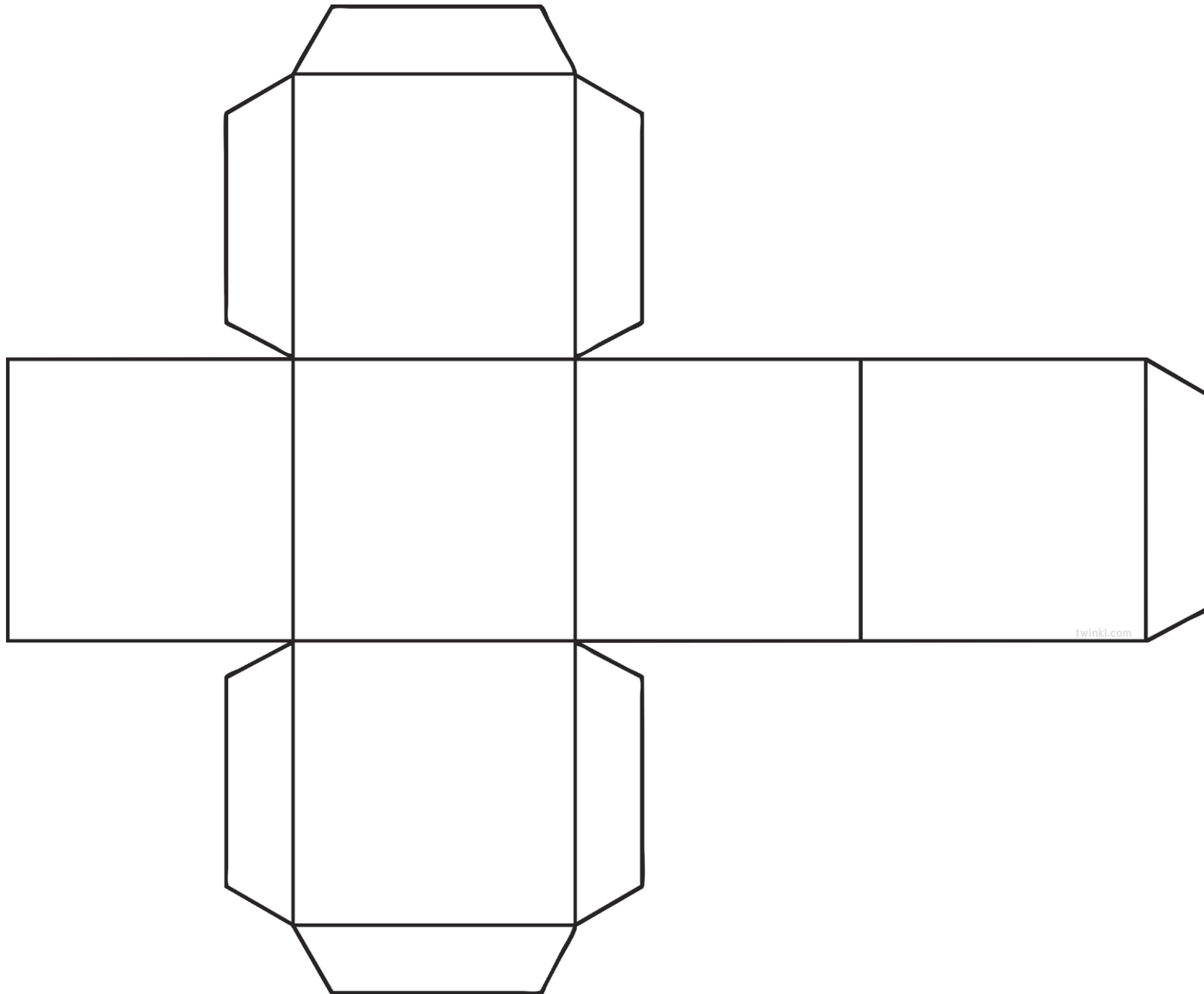


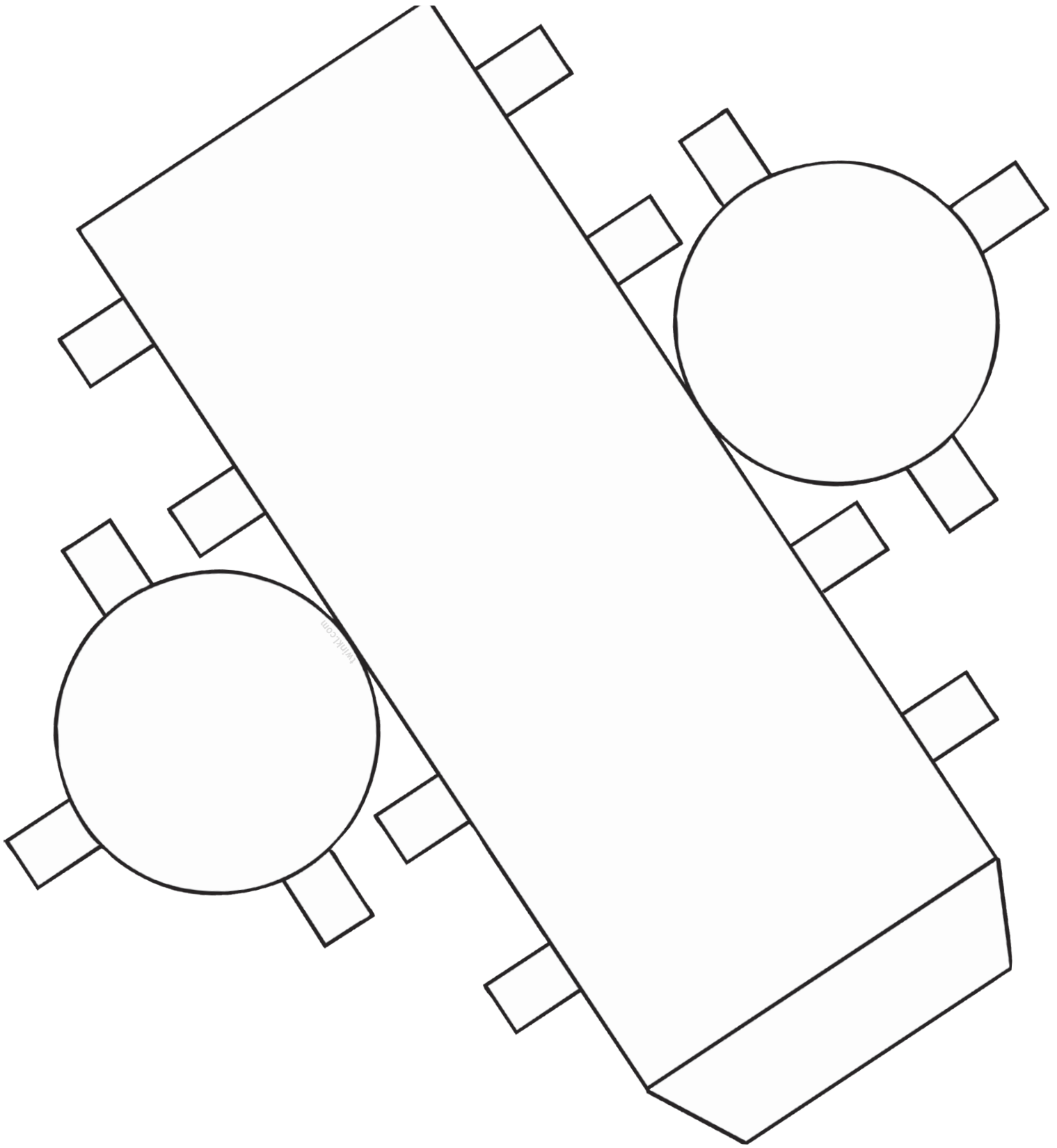
Cone



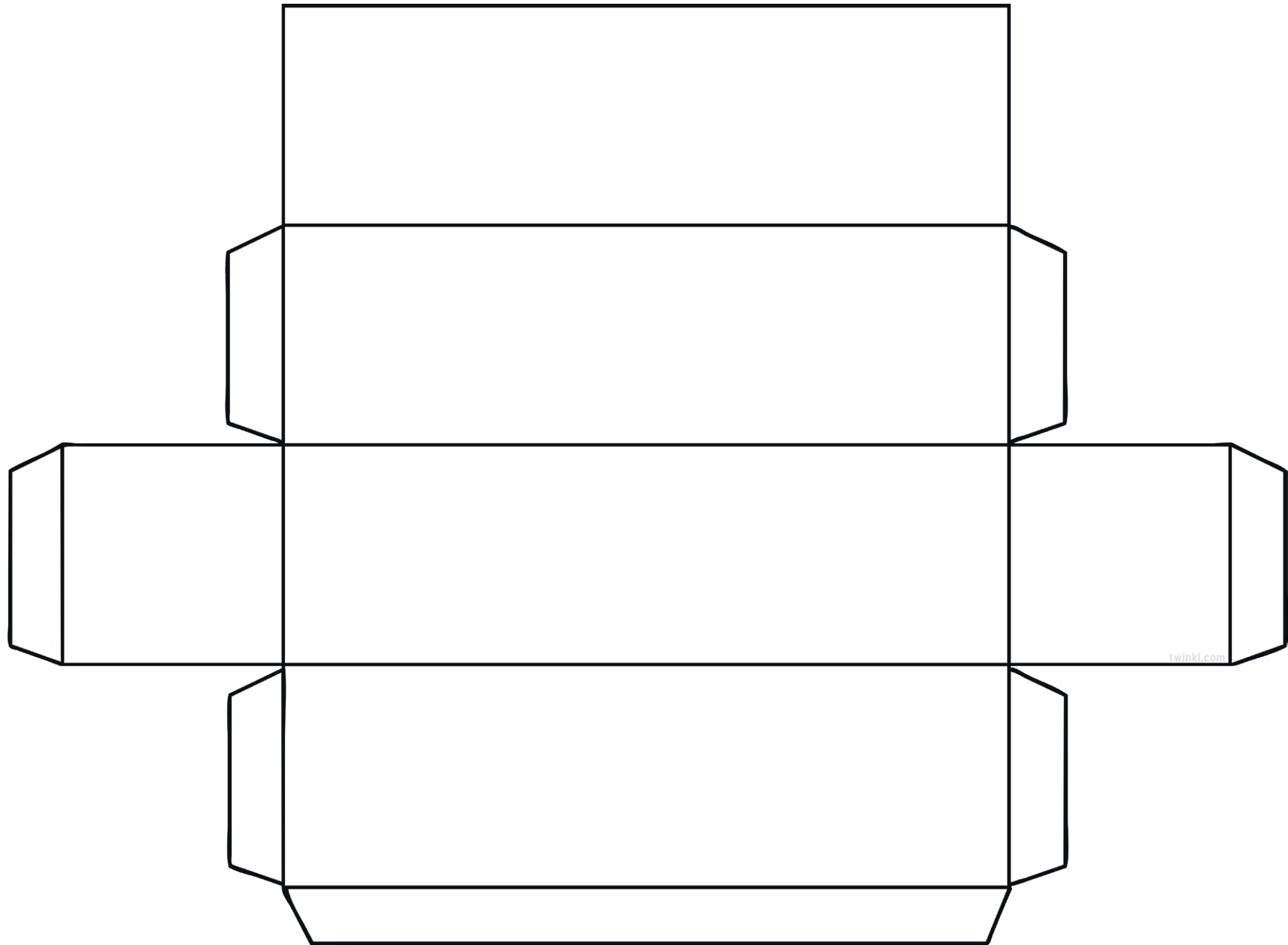
Cube



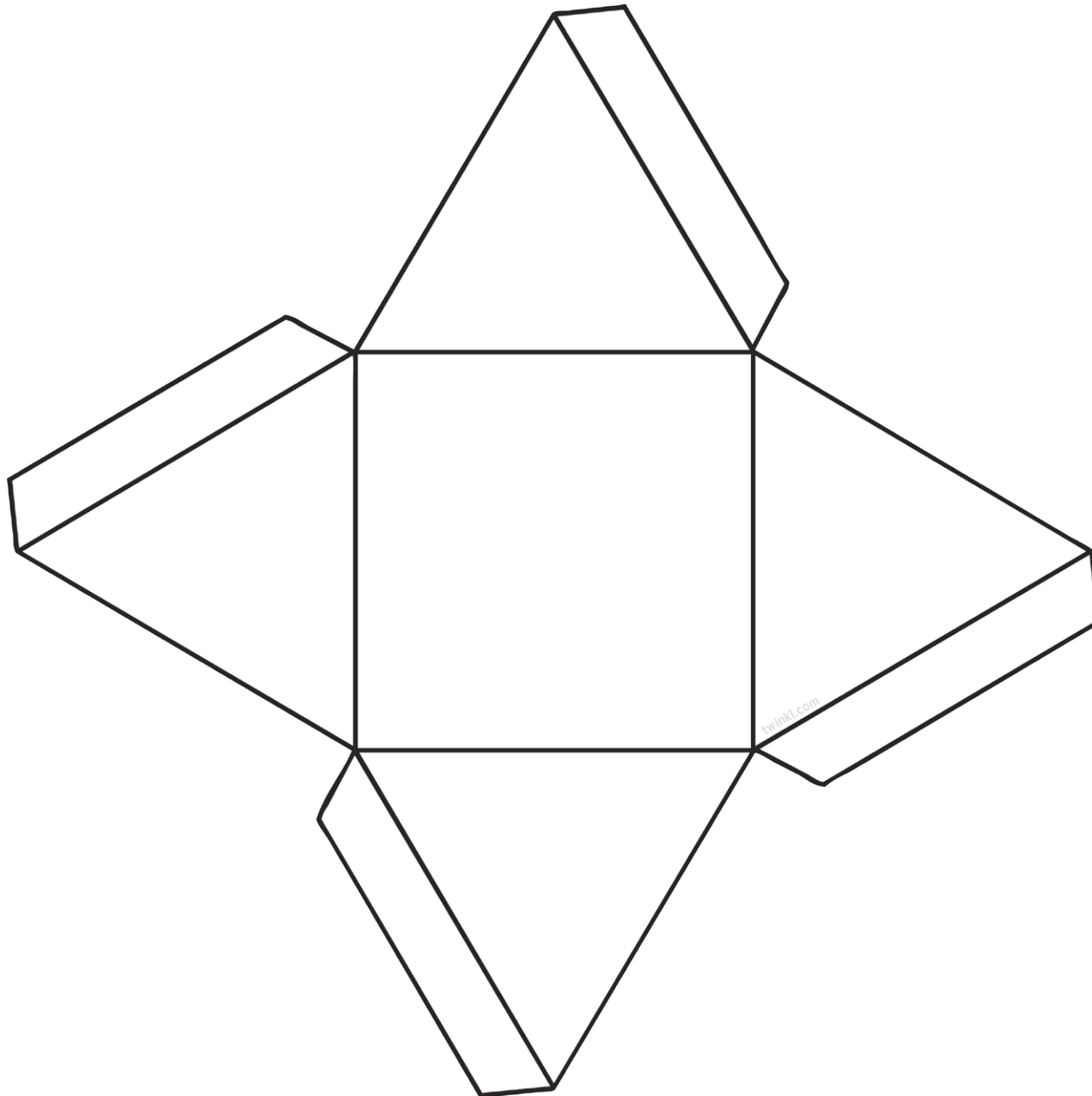
Cylinder



Rectangular Prism



Square-based Pyramid



Triangular Prism

